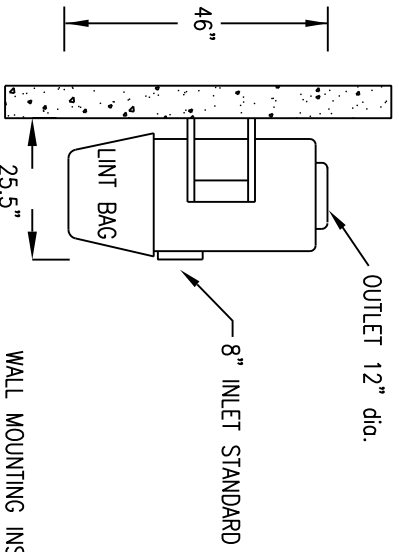
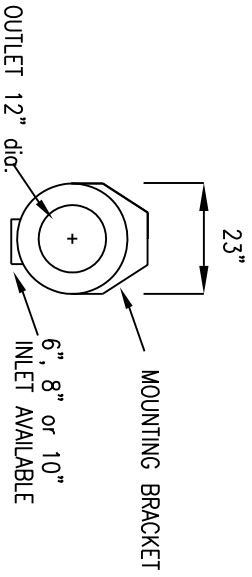


The Small Wonder OPL-201

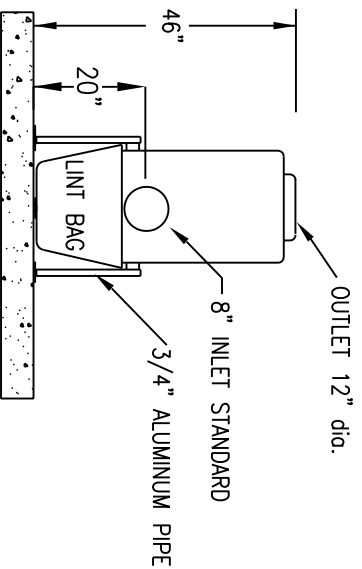
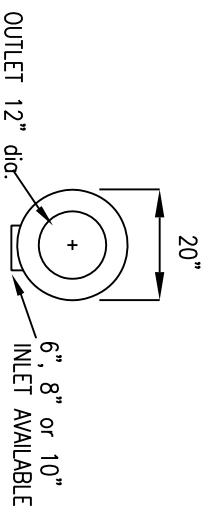
OPL-201

CAPACITY: 1000 CFM MAXIMUM
FILTER MEDIA: 6.3 SQ.FT., 200 MICRON PECAP
NET WEIGHT: 40 LBS
SHIPPING WEIGHT: 55 LBS, UPS
 80 LBS, CRATED

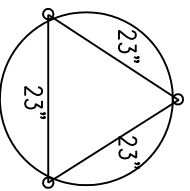


WALL MOUNTING INSTRUCTIONS:

- 1) REMOVE MOUNTING BRACKET FROM FILTER
- 2) MOUNT BRACKET TO WALL
- 3) RE-INSTALL FILTER TO MOUNTING BRACKET



- MOUNTING OPTIONS
- 1) FLOOR
 - 2) WALL
 - 3) CEILING



LINT FILTER-ASSEMBLY-INSTALLATION MODEL OPL-201

CLEAN CYCLE SYSTEMS
 A DIVISION OF TQ INDUSTRIES
 960 CROSSROADS BLVD.
 830-401-4400

DATE: 06/04
 SCALE: NONE
 DRAWING NO. CC201