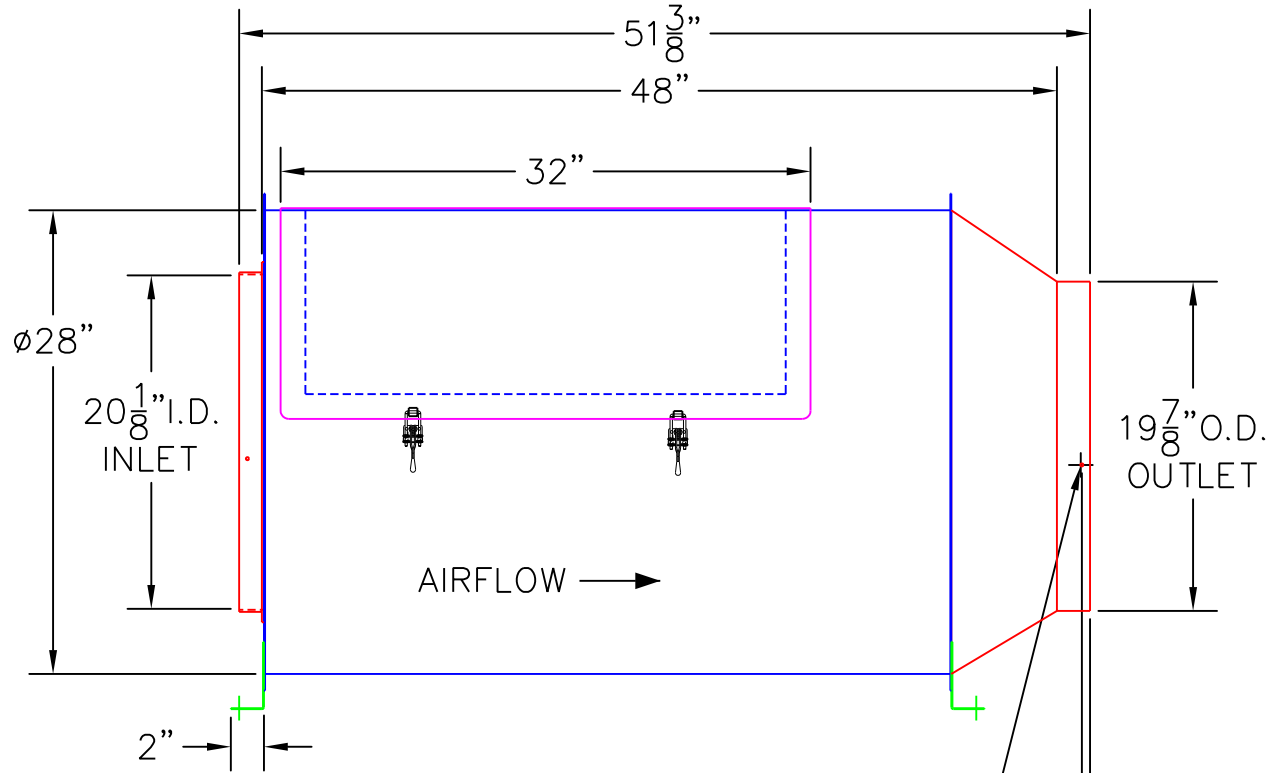
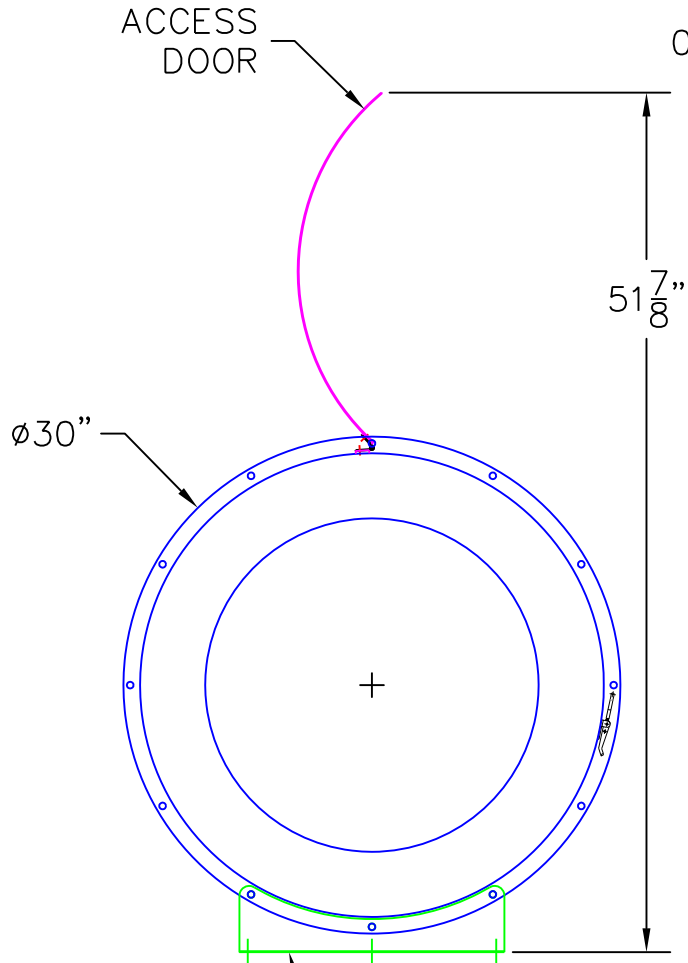


LLS-20-20

STAINLESS STEEL ENCLOSURE  
 RATED MAX. CAPACITY: 4500 CFM  
 STATIC PRESSURE: @ 4500 CLEAN  
 0.08" S.P. (clean) to 0.25" S.P. (dirty)  
 WEIGHT: 85 POUNDS



BRACKETS CAN BE REMOVED,  
 ROTATED AND REINSTALLED IN  
 POSITION THAT WORKS BEST.

$\phi \frac{3}{16}''$  DRILL 4 HOLES  
 EQUALLY SPACED  
 (BOTH ENDS)

THIS DRAWING AND ALL INFORMATION THEREON IS THE PROPERTY OF TQ INDUSTRIES AND IS SUBJECT TO RETURN ON DEMAND.  
 THIS INFORMATION IS CONFIDENTIAL AND MUST NOT BE MADE PUBLIC OR COPIED UNLESS AUTHORIZED.

UNLESS OTHERWISE SPECIFIED XXX + - .005 XX + - .010 X + - .030 FRA. + - 1/32 ANG. + - 1 DG.	TQI, LLC 960 Crossroads Blvd. Seguin, TX 78155 (830)401-4400	CLEAN CYCLE SYSTEMS	
		LINT LASSO	
DRAWN BY HDP	DATE 10/10/16	SIZE A	QTY. REQUIRED 1
CHECKED BY MTR	DATE	DWG NO. LLS-20-20_email	REV
SCALE nts	NO	SHEET	1