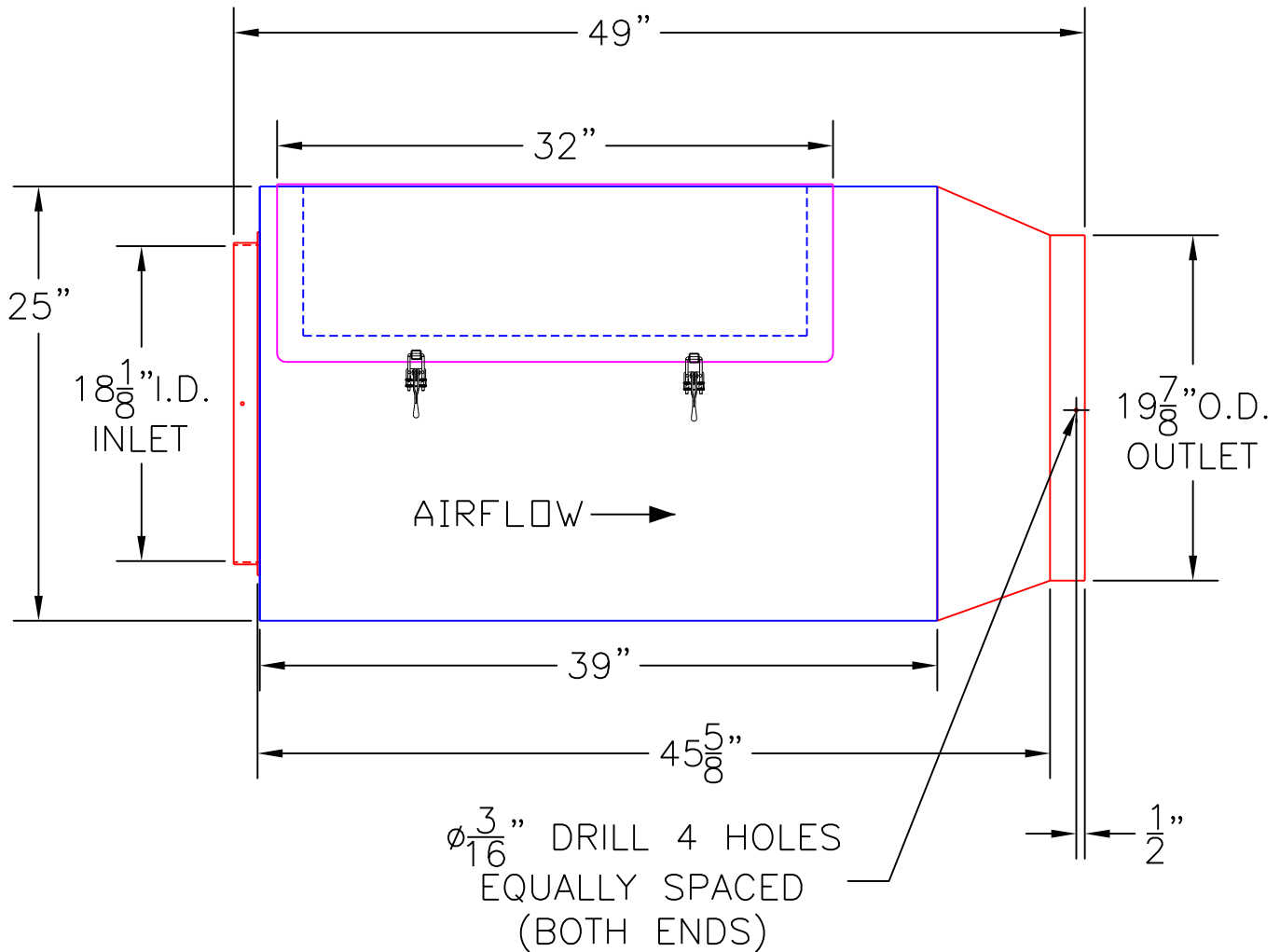


LLS-18-20

STAINLESS STEEL ENCLOSURE
RATED MAX. CAPACITY: 3700 CFM
STATIC PRESSURE: @ 3700 CLEAN
0.08" S.P. (clean) to 0.25" S.P. (dirty)
WEIGHT: 70 POUNDS



THIS DRAWING AND ALL INFORMATION THEREON IS THE PROPERTY OF TO INDUSTRIES AND IS SUBJECT TO RETURN ON DEMAND.
THIS INFORMATION IS CONFIDENTIAL AND MUST NOT BE MADE PUBLIC OR COPIED UNLESS AUTHORIZED.

TQI, LLC
960 Crossroads Blvd.
Seguin, TX 78155
(830)401-4400



CLEAN CYCLE SYSTEMS

LINT LASSO

DRAWN BY	DATE	SIZE	QTY. REQUIRED	DWG NO.	REV
HDP	10/10/12	A	1	LLS-18-20_email	
CHECKED BY	DATE	SCALE: 1:10		SHEET	1
MTR		NO			