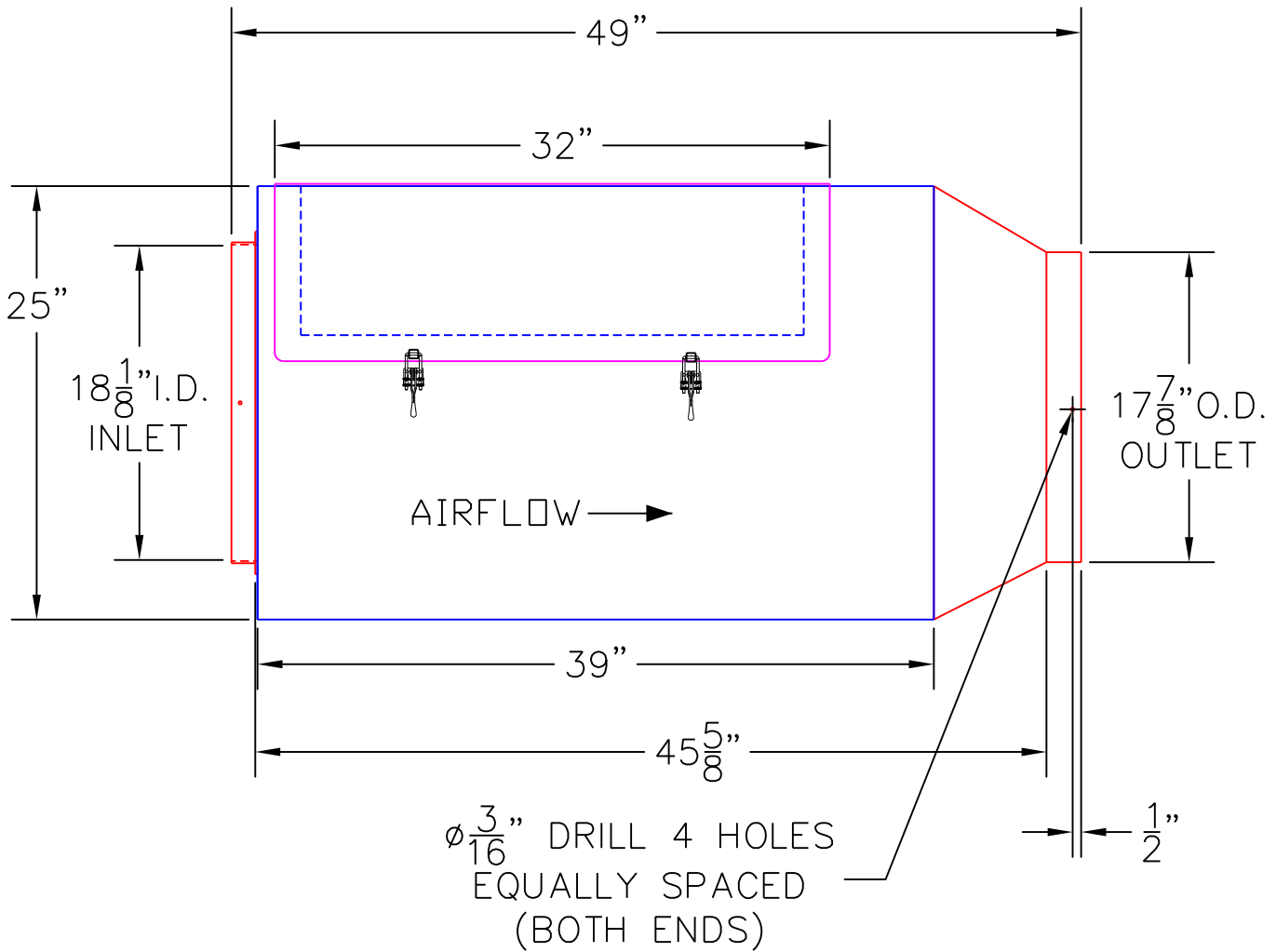


LLS-18-18

STAINLESS STEEL ENCLOSURE
 RATED MAX. CAPACITY: 3700 CFM
 STATIC PRESSURE: @ 3700 CLEAN
 0.08" S.P. (clean) to 0.25" S.P. (dirty)
 WEIGHT: 70 POUNDS



THIS DRAWING AND ALL INFORMATION THEREON IS THE PROPERTY OF TO INDUSTRIES AND IS SUBJECT TO RETURN ON DEMAND.
 THIS INFORMATION IS CONFIDENTIAL AND MUST NOT BE MADE PUBLIC OR COPIED UNLESS AUTHORIZED.

UNLESS OTHERWISE SPECIFIED XXX + - .005 XX + - .010 X + - .030 FRA. + - 1/32 ANG. + - 1 DG.	TQI, LLC 960 Crossroads Blvd. Seguin, TX 78155 (830)401-4400		CLEAN CYCLE SYSTEMS LINT LASSO	
	DRAWN BY HDP	DATE 10/10/12	SIZE A	QTY. REQUIRED 1
CHECKED BY MTR	DATE	SCALE: 1:10	NO	SHEET 1