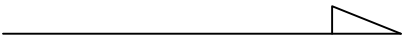
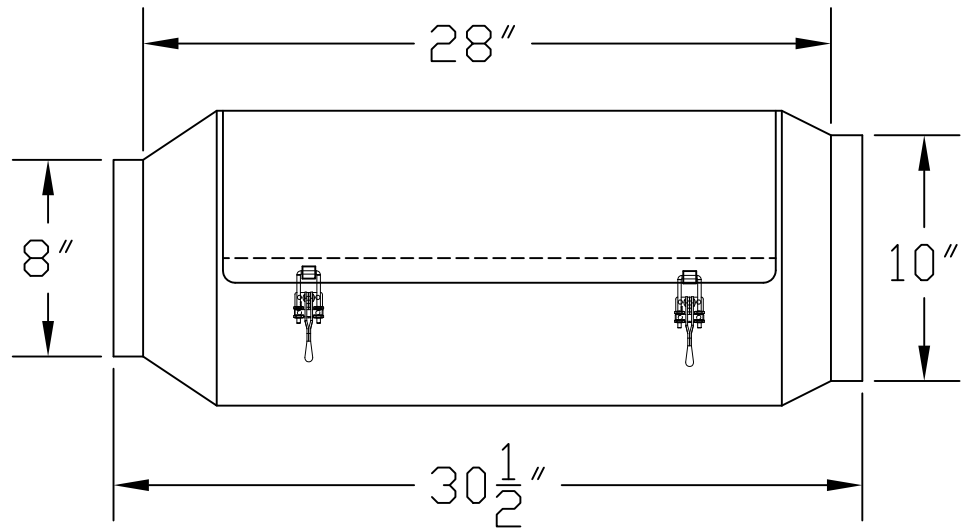
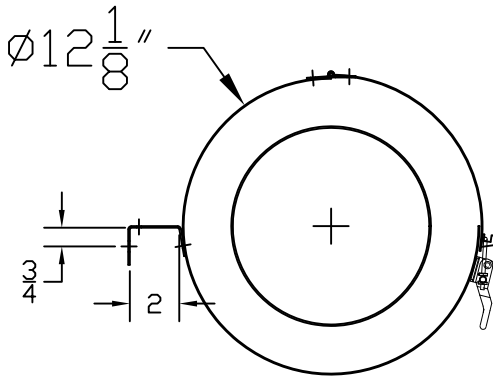



LL-8-10
 RATED MAX. CAPACITY: 1000 CFM
 STATIC PRESSURE: @ 1000
 0.08" S.P. (clean) to 0.25" S.P. (dirty)
 UNIT WEIGHT: 16 POUNDS

AIRFLOW 



THIS DRAWING AND ALL INFORMATION THEREIN IS THE PROPERTY OF TQ INDUSTRIES AND IS SUBJECT TO RETURN ON DEMAND.
 THIS INFORMATION IS CONFIDENTIAL AND MUST NOT BE MADE PUBLIC OR COPIED UNLESS AUTHORIZED.

TQI, LLC 960 Crossroads Blvd. Seguin, TX 78155 (830)401-4400				CLEAN CYCLE SYSTEMS LINT LASSO	
DRAWN BY HDP	DATE 8/5/11	SIZE A	QTY. REQUIRED 1	DWG NO. LL-8-10_email	REV
CHECKED BY MTR	DATE 8/5/11	SCALE 1:8	WO	SHEET 1	