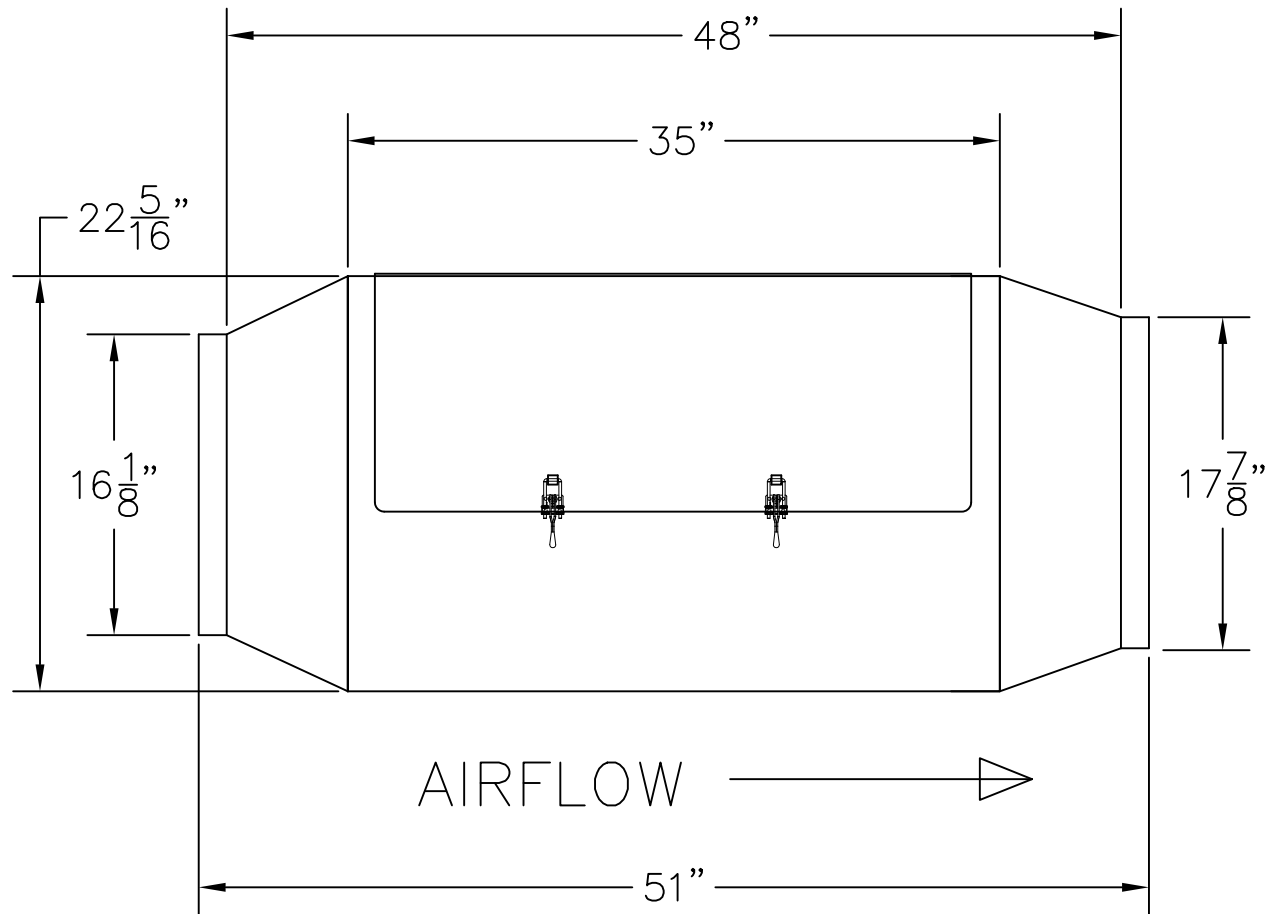
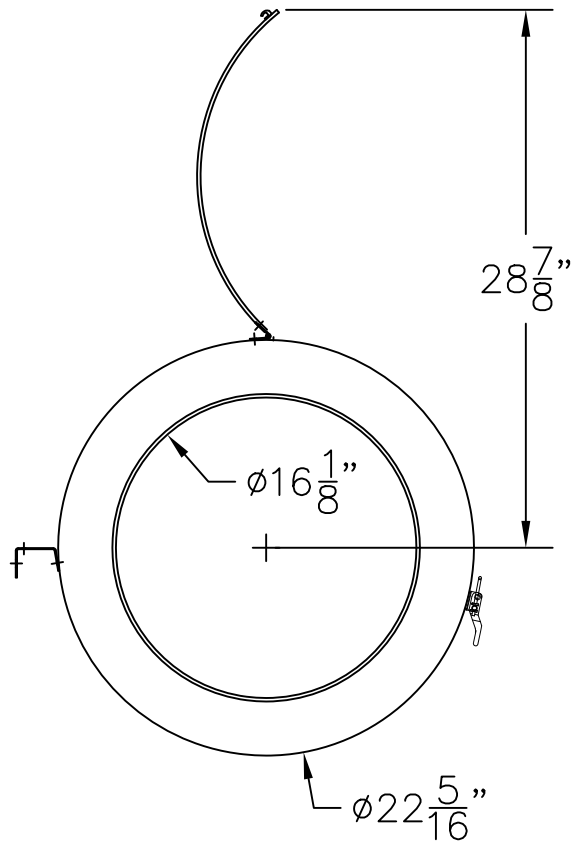


LL-16-18

METAL AND FIBERGLASS ENCLOSURE
RATED MAX. CAPACITY: 3200 CFM
STATIC PRESSURE: @ 3200
0.08" S.P. (clean) to 0.25" S.P. (dirty)
WEIGHT: 47 POUNDS



THIS DRAWING AND ALL INFORMATION THEREON IS THE PROPERTY OF TQ INDUSTRIES AND IS SUBJECT TO RETURN ON DEMAND.
THIS INFORMATION IS CONFIDENTIAL AND MUST NOT BE MADE PUBLIC OR COPIED UNLESS AUTHORIZED.

TQI, LLC 960 Crossroads Blvd. Seguin, TX 78155 (830)401-4400		CLEAN CYCLE SYSTEMS			
		LINT LASSO			
DRAWN BY HDP	DATE 2/12/16	SIZE A	QTY. REQUIRED 1	DWG NO. LL-16-18_email	REV
CHECKED BY	DATE	SCALE	NTS	WO	SHEET 1