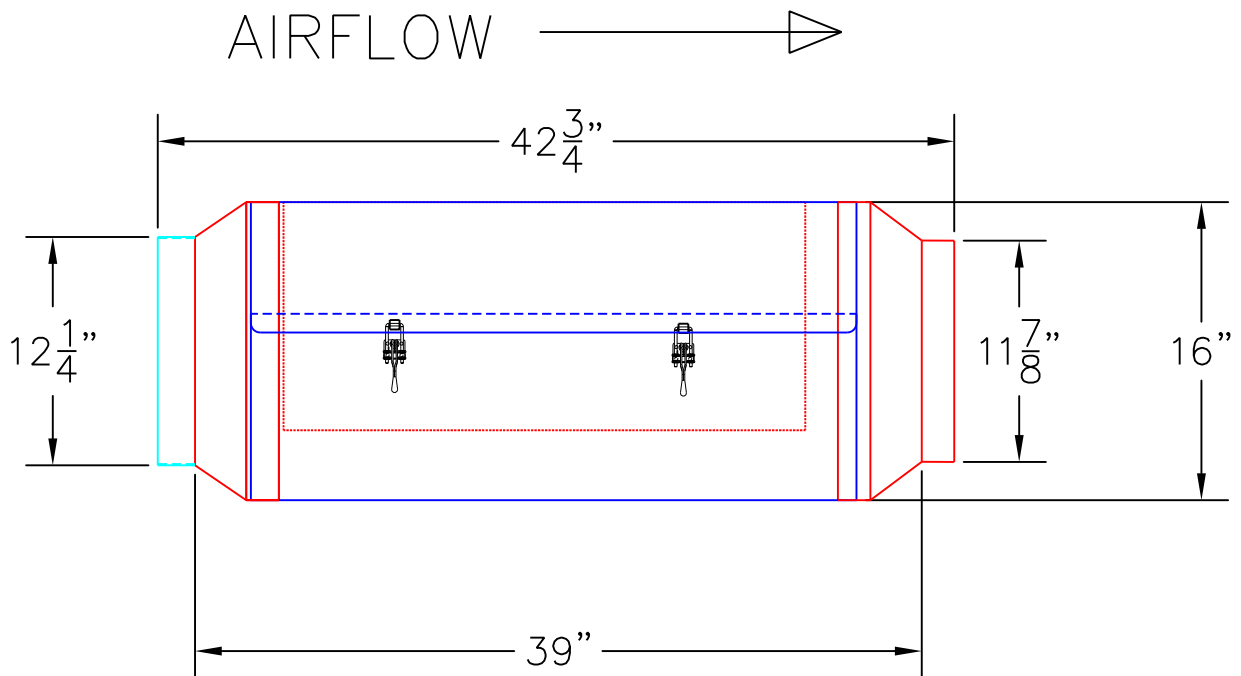


LL-12-12

RATED MAX. CAPACITY: 2500 CFM
 STATIC PRESSURE: @ 2500 CLEAN
 0.08" S.P. (clean) to 0.25" S.P. (dirty)

UNIT WEIGHT: 35 LBS.



THIS DRAWING AND ALL INFORMATION THEREON IS THE PROPERTY OF TQ INDUSTRIES AND IS SUBJECT TO RETURN ON DEMAND. THIS INFORMATION IS CONFIDENTIAL AND MUST NOT BE MADE PUBLIC OR COPIED UNLESS AUTHORIZED.

UNLESS OTHERWISE SPECIFIED XXX + - .005 XX + - .010 X + - .030 FRA. + - 1/32 ANG. + - 1 DG.	TQI, LLC 960 Crossroads Blvd. Seguin, TX 78155 (830)401-4400		CLEAN CYCLE SYSTEMS LINT LASSO		
	DRAWN BY HDP	DATE 8/5/11	SIZE A	QTY. REQUIRED 1	DWG. NO. LL-12-12 email
	CHECKED BY MTR	DATE 10/30/12	SCALE: 1:10	NO	SHEET 1