



**LINT FREE ZONE**

CLEAN UP UNSIGHTLY LINT  
IMPROVE GROUNDS  
PROTECT AC UNITS

# OPL-200/300 SERIES

OPL= On Premise Laundry  
Ø H<sub>2</sub>O Ø COMPRESSED AIR

**These filters are ideal for smaller facilities like hotels, long term care, dorms, sports clubs and coin-ops where 1 or more OPL dryers are found.**

- **All** Models come STANDARD with an ALERT SYSTEM that indicates unit needs cleaning
- Eliminates need for compressed air or water
- **4X +** more efficient than standard internal dryer screens
- Catches 98% of the lint that passes through internal dryer screens
- Compact, lightweight, easy to install  
Floor, wall or ceiling mounted
- **NO** moving parts to wear and repair
- Meets Clean Air Regulations
- Reduces fire hazards
- Reduces cleanup & maintenance time
- Stops "Snow in July" Syndrome  
(i.e. lint covered lawns or patios and clogged HVAC systems)

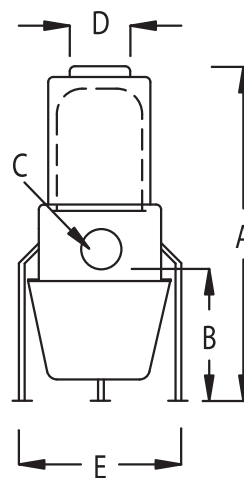


TWO OPL- 202'S ON LOCATION

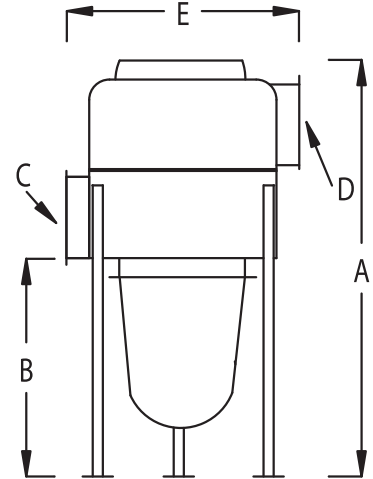


OPL- 305 MODEL with optional inlet plate

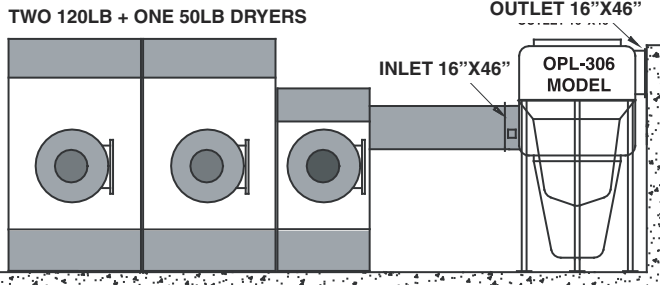
## SMALL WONDER SERIES



OPL- 200 SERIES



OPL- 300 SERIES



SMALL WONDER 200/300								
MODEL	OPL-201	OPL-202	OPL-203	OPL-303	OPL-305	OPL-306	OPL-308	OPL-310
CFM*	1000	1800	2500	3000	5000	6000	8000	10000
SCREEN+	6	9	12	16	24	35	44	52
A	46	76	76	82	96	92	104	116
B	16	26	26	44.5	44.5	45	45	45
C	6 / 8	10 / 12	14 x 26	16 x 36	16 x 36	18 x 46	18 x 46	18 x 46
D	12	12	16	16 x 36	16 x 36	18 x 46	18 x 46	18 x 46
E	27	32	36	44	44	56	56	56

\* MAXIMUM CFM RATING. RECOMMEND OVERSIZING FILTER MODEL 10-20% OVER TOTAL DRYER EXHAUST CFM.  
+ FIGURES REPRESENT SCREEN AREA IN SQ. FT.  
ALL DIMENSIONS NOTED ARE IN INCHES

## Clean Cycle Systems

A division of TQI, llc

www.cleancyclesystems.com • email: ccsystems@tqind.com

PHONE: 830-401-4400 \* TOLL FREE 800 826-1245 \* FAX 830-401-0600



# Lint Filter Options + Upgrades

## OPL-200 & 300 SERIES

Please contact us to discuss your installation and to discuss the options listed below.

The OPL **Small Wonder** Series 200 & 300 lint filters are especially designed for properties with dryers in the 30 to 170 pound range. Multiple dryers may be vented separately or into a common duct to the filter. The compact size of the **Small Wonder** makes them ideal for tight areas where space is a premium. The filtration screen is a fine mesh material that catches 98% of the lint that passes through. (Typically, lint screens found in dryers catch approximately 50-80% of the lint). The Clean Cycle **Small Wonder** screens are like a large bag, when a dryer is on, the screen floats in the up position catching the lint, when the dryers are turned off the large lint screen drops (by gravity from weight of lint) and the lint falls down into a large holding bag, when necessary the remaining lint can be removed with the brush of a hand in seconds. Lint is caught in a large reinforced vinyl holding bag. **The filter has no moving mechanical parts, and requires no electricity or compressed air.**

### Choosing the Right Model

Due to varying exhaust designs, it is good practice to select a filter rating that is oversized by at least 10% of the dryer's rating. Example: For a dryer installation having a combined total of 8,000 CFM, a filter with 10,000 CFM capacity should be used.

- OPL-300 Series Filters come standard with an overpressure Alert ( indicates time to clean)
- All 200 Series models are standard with top (vertical) outlets.
- All 300 Series models are standard with side (horizontal) outlets

### Options



**OPL-SS**  
Stainless Steel  
Housing



**BD2** Barometric Damper  
**SO2** Side Outlet  
**FLD** Fiberglass Lint Drum



**SPM** Static Pressure Monitor  
(3" Dia. Gage)



**IPS** Inlet Plate with Slip Collar



**WH3** Weather Hood for Side  
Outlet (with bird screen)



**BD3** Barometric Damper on  
Outlet (for downstream fan)

## Clean Cycle Systems

A division of TQI, llc

www.cleancyclesystems.com • email: ccsystems@tqind.com

PHONE: 830-401-4400 \* TOLL FREE 800 826-1245 \* FAX 830-401-0600