



LINT FREE ZONE

CLEAN UP UNSIGHTLY LINT
IMPROVE GROUNDS
PROTECT AC UNITS

SYSTEM 500

- Collects 98% of lint from dryers
- Designed for **MAXIMUM DRYER EFFICIENCY**
- Minimum maintenance & downtime
- "Quick Change" Screens
- Auto cleaning
- Accommodates single or multiple (small or large) dryers
- Choice of Fiberglass or Stainless
- Custom Capabilities
- Over-Pressure Alert
- Variable Frequency Fans

OPTIONAL FEATURES:

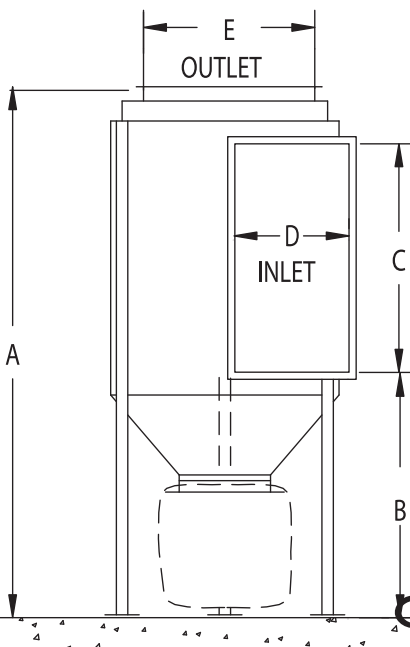
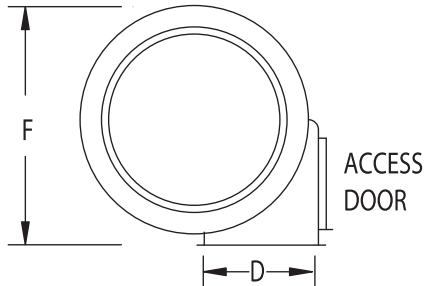
- Fire Suppression ▪ Horizontal Exhaust
- Assist Booster Fan ▪ Inlet Transitions (adapter)
- Pre-wired + Pre-plumbed ▪ Custom Sizes
- Air Reservoir Tanks & more - see reverse side



FRX-CLASS 1 FIRE RETARDANT FIBERGLASS



POLISHED 16 GAGE STAINLESS STEEL



FOR SINGLE DRYER APPLICATIONS

OR

MULTIPLE DRYER APPLICATIONS



SYSTEM 500							
MODEL	DLF-506	DLF-510	DLF-511	DLF-515	DLF-518	DLF-522	DLF-530
CFM*	6,000	10,000	11,000	15,000	18,000	22,500	30,000
SCREEN+	22	36	37	45	54	82	102
A	81	94	84	96	96	102	114
B	39	45	41	46	49	57	53
C	30	40	28	40	40	42	50
D	20	20	30	30	30	42	50
E	24	30	30	30/36	36	48	56
F	40	46	53	53	67.5	86	86

0 MAXIMUM CFM RATING.*

RECOMMEND OVSIZING FILTER 10-20% OVER TOTAL DRYER EXHAUST CFM.

+ FIGURES REPRESENT SCREEN AREA IN SQ. FT.

ALL DIMENSIONS NOTED ARE IN INCHES, STAINLESS STEEL MODELS MAY DIFFER

Clean Cycle Systems

A division of TQI, llc

www.cleancyclesystems.com • email: ccsystems@tqind.com

PHONE: 830-401-4400 * TOLL FREE 800 826-1245 * FAX 830-401-0600

DLF-500 Series Options & Upgrades

SYSTEM 500 models represent a design concept requiring minimum space to install while providing large area filtration. All models are tall, slim and compact; often referred to as "inline" models. The DLF-500 Series filters are all weather construction and may be mounted inside or outside, even in extreme conditions.

SYSTEM 500 models are available in either Fiberglass or Stainless Steel Body Assemblies. Choose from Seven (7) different sizes with CFM ratings ranging from 6,000 – 30,000 CFM. **SYSTEM 500** filters may be mounted individually to the dryer or one large filter connected to multiple dryers. Customization is available for special or unique situations, call us for details.

The **SYSTEM 500's Screen** area is a large cylindrical-shaped, hi-temp PECAP or stainless steel filtration media. The screen stretches over a firmly welded steel cage. An accessible inspection door allows the screen and air wand assembly to be easily maintained. An **automatic "blowdown"** mechanism rotates on top and bottom rotors, with air jets stripping the lint blanket from the screen and allowing it to fall by gravity into a lower collection bag. An automatic pre-set timer control and solenoid valve provides periodic release of compressed air to operate the blowdown system and air jets.

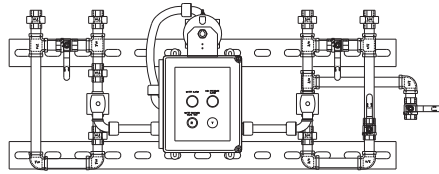
CLEAN CYCLE SYSTEMS 25+ years of manufacturing filtration systems allows us to offer you complete engineering and technical assistance *assuring perfect installation every time*. Parts are readily available and ship immediately – to any destination in the world.

Choosing the Right Model

Due to varying exhaust designs, it is good practice to select a filter that is oversized by at least 15% of the dryer's rating.

Example: For a dryer installation having a combined total of 8000 CFM, a filter with 10,000 CFM capacity should be used.

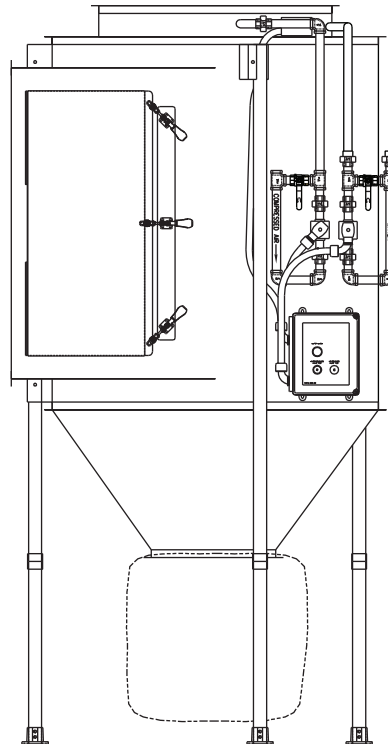
REMOTE PREWIRED PREPLUMBED OPTION



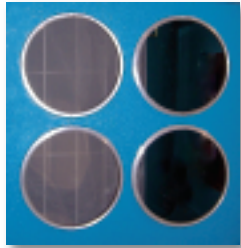
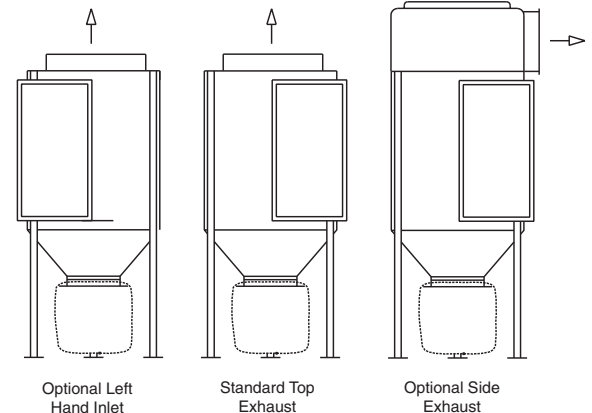
DRAWING SHOWN IS
PREWIRED PREPLUMBED OPTION
INSTALLED ON UNIT



SPM Static Pressure Monitor
(3" Dia. Gage)



OPA, EFC Overpressure Alert (switch, horn, light) -installed on unit by factory upon request



IPS Inlet Plate with
Slip Collar



VCT 30

Additional Options

- OPA** Overpressure Alert
- Top/Side (Horizontal) Outlet**
- EFC** Emergency Fire Control System
- IPM** Inlet Plate with Slip Collars custom on each order
- VTC** 30, 60 or 80 Gallon Air Reservoir Tank (vertical with valves, gage, plugs and fittings)
- PWPP** Pre-wired & Pre-plumbed (control box, valves & sensors installed on unit)
- BDS** Barometric Damper on Side Outlet (for downstream fan) Additional Side Inlet, Custom Inlet/Outlet Transition Piece

Standard

- UL** Certified Control Box

Clean Cycle Systems

A division of TQI, llc

www.cleancyclesystems.com • email: ccsystems@tqind.com

PHONE: 830-401-4400 * TOLL FREE 800 826-1245 * FAX 830-401-0600

Form# DLF2015-1R